

Reference: D 1000 3V

Classification according to: EN 13229: 2001 / A2: 2004

- Nominal power: 13.5 kW
- Rate of CO to 13% of O₂: 0.21%
- Efficiency: 70.5%
- Average flue gas temperature: 232°C
- Rate of CO₂: 6.35%
- Functioning: closed door
- Classification: intermittent
- Fuel type: only dry wood (15 to 20% Hu)

-
- Weight of the appliance: 366 kg
 - Connecting diameter: 250 mm
 - Nominal pressure: 12 Pa

-
- **Maximum** fuel load: 7 kg
 - Fuel load: 3.5 kg
 - Consumption: 0.97 g/s



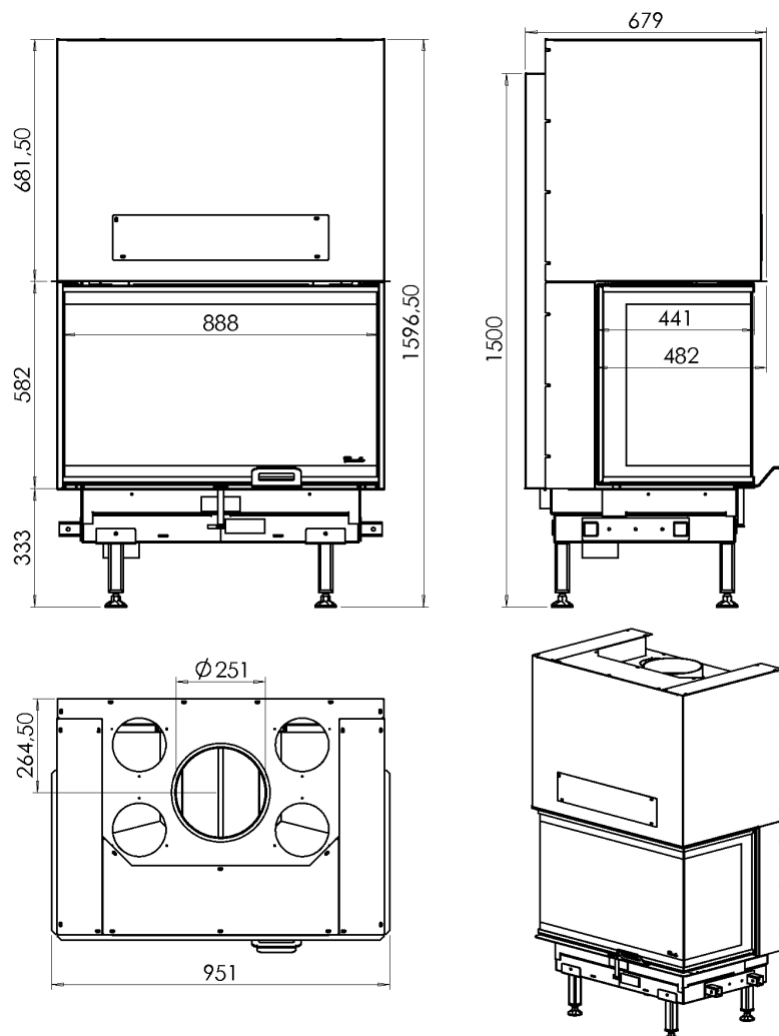
08

5 year guarantee*

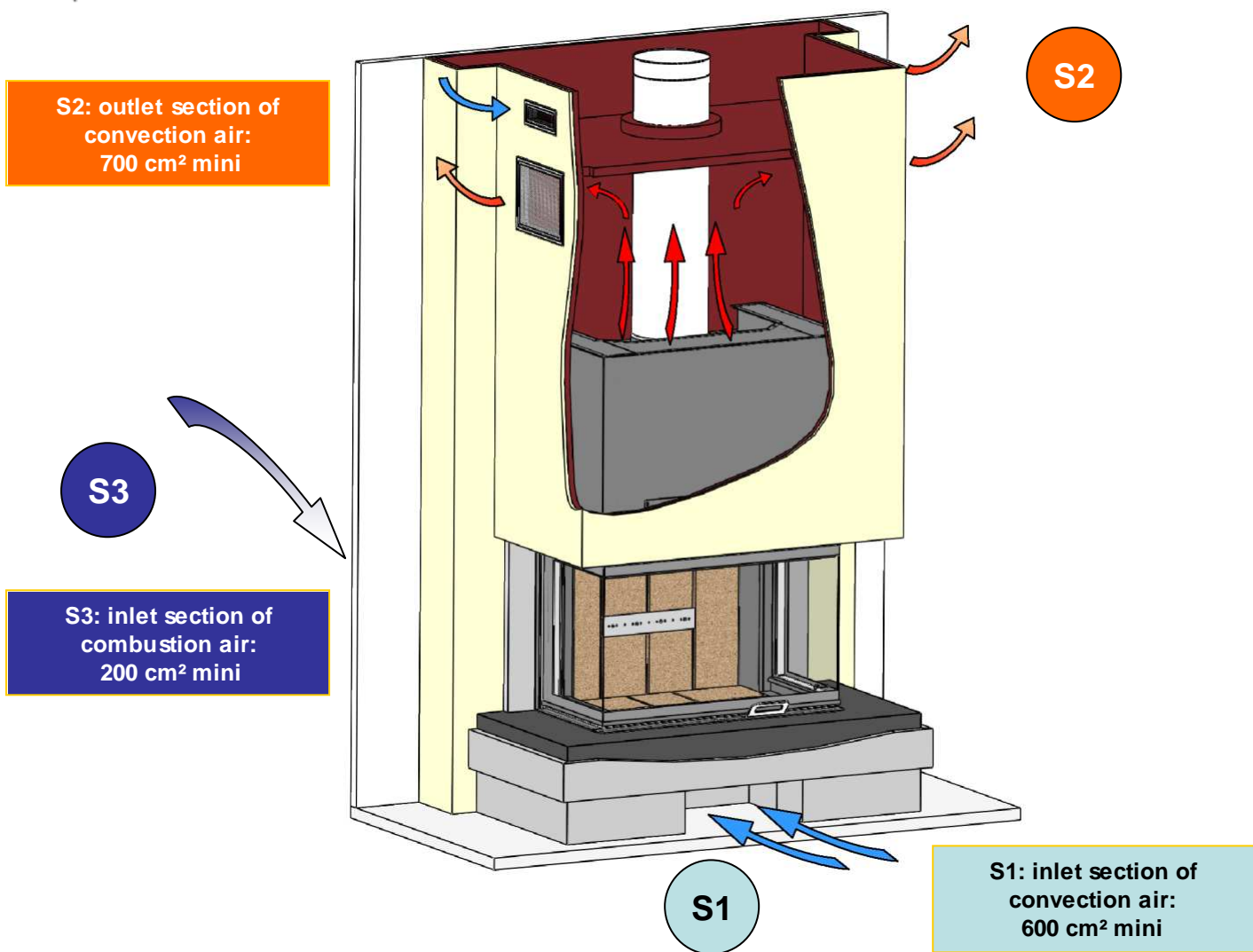
* See general instruction booklet

Insert DESIGN D 1000 3V

All local and national legislation, as well as European norms, should be respected when using the appliance.

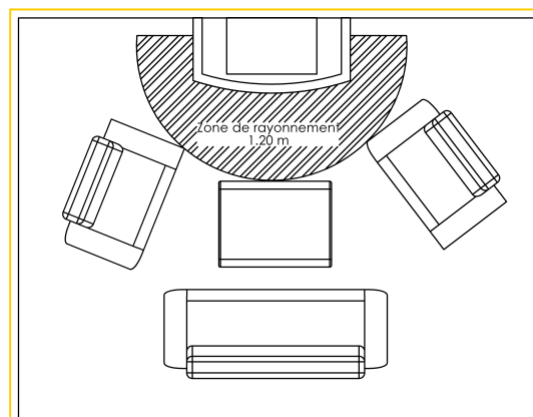
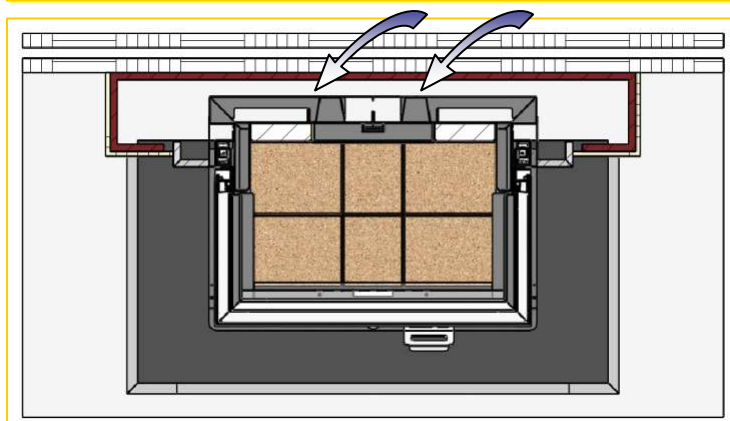


ADDITIONAL INFORMATION



Distance to adjacent combustible materials :

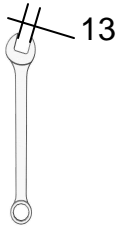
7 cm of which 3 cm with an isolation of 0,7 m².K/W at 50°C (or of 0,4 m².K/W at 200°C), with a classification A1 or at le ast M0 or A2-s1, d0 between the back of the appliance and the backing wall.



Cf : general installation and operating instructions

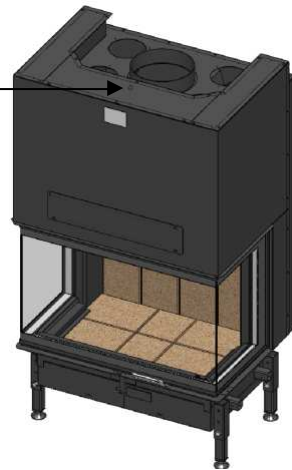
INSTRUCTIONS DESIGN D 1000 3V

1 UNLOCK THE COUNTERWEIGHTS



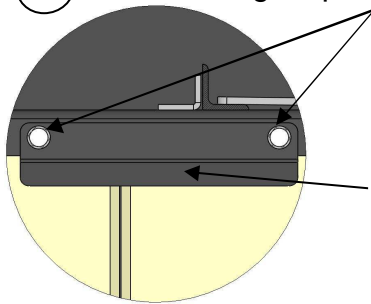
Erou de blocage

- Retirer l'érou
- Dévisser la trappe centrale
- Enlever le tirant de blocage

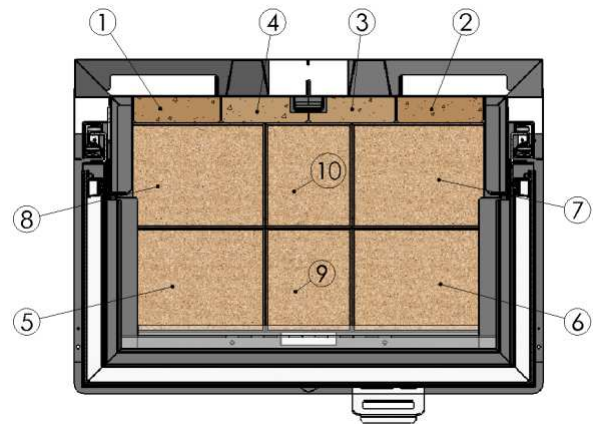


2 INSTALLATION OF THE FIRE-PROOF BRICKS

(X) : Assembling steps



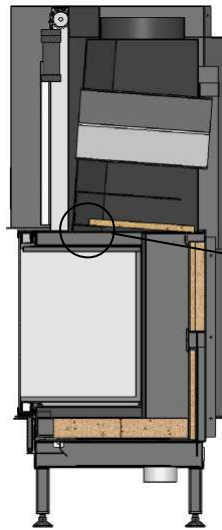
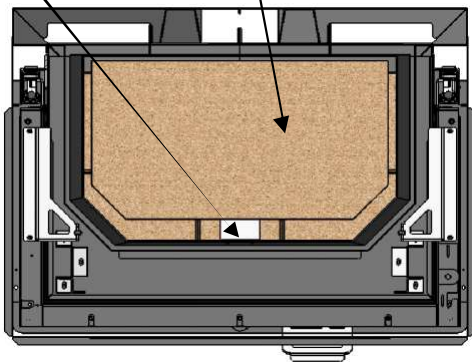
Screw TH
M6*20
stainless
steel
washer M6
Fixing
blade



3 INSTALLATION OF THE DEFLECTORS

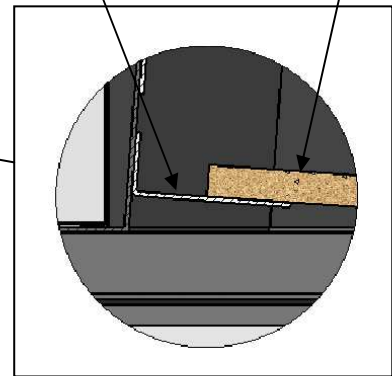
Deflector
support

Deflector

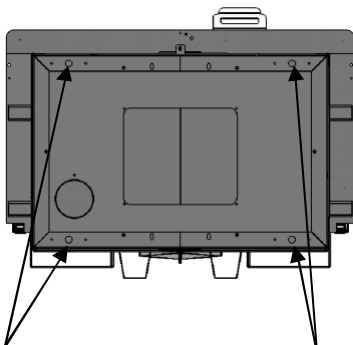


Deflector
support

Deflector



4 INSTALLATION OF THE FEET



Location of the feet

